

ATTACHING YOUR TBX CABLE TO YOUR SCXI MODULE

This guide describes a new method of installing your TBX cable to your SCXI module.

What You Need to Get Started

- TBX cable assembly kit
- Your SCXI module
- 0.125 in. flathead screwdriver

SCXI Connection

To connect the cable assembly to your SCXI module, refer to Figure 1 as you perform the following steps.

1. Turn off your SCXI chassis.
2. Turn off the computer that contains your data acquisition (DAQ) device or disconnect the device from your SCXI chassis.
3. Connect the TBX cable adapter to the appropriate SCXI module and secure it by tightening both thumb screws as shown in Figure 1.

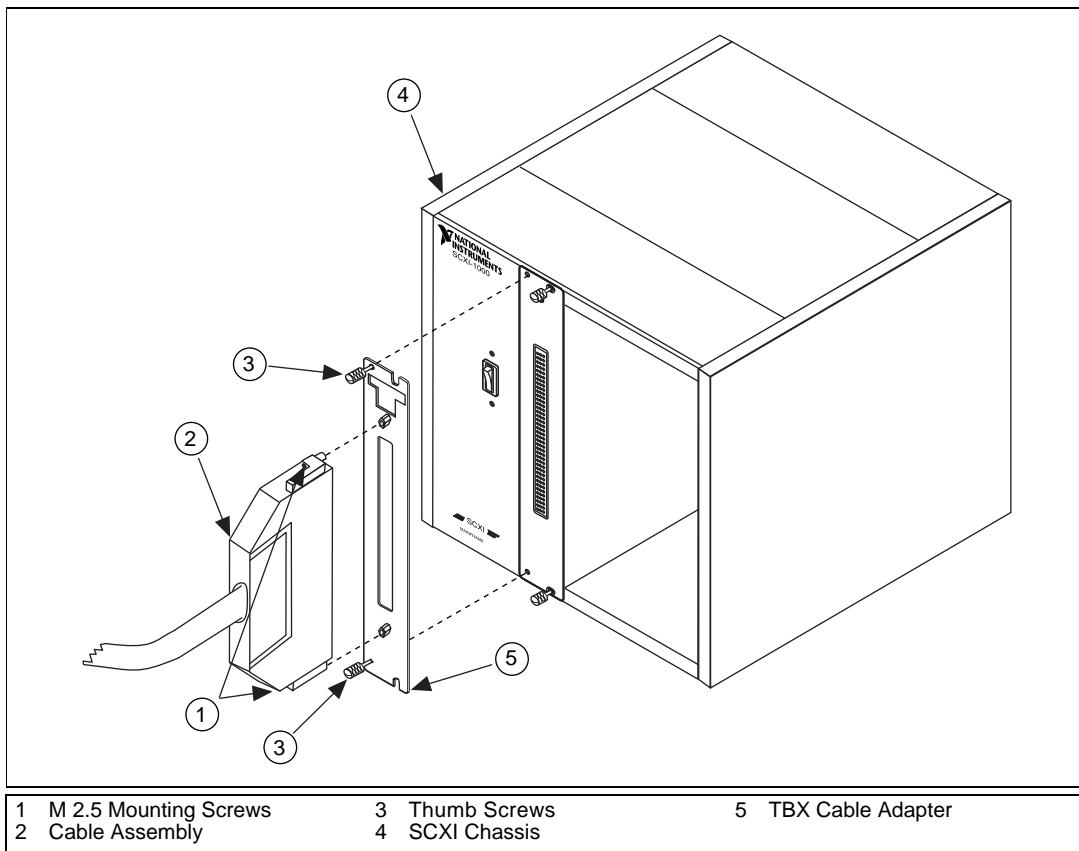


Figure 1. Connecting the Cable Assembly to the SCXI Module

4. Connect the cable assembly to your SCXI module front connector and secure the backshell by tightening both M 2.5 mounting screws as shown in Figure 1.
5. Reconnect the DAQ device to your SCXI chassis.

The SCXI connection is now complete.